

THE TRISTAR® SERIES



TRISTAR® -R3-WHT

TRISTAR®-R3-WHT 5W LED Lamps

TriStar®-R3-WHT 5 watt LED lamps, with a standard MR16 base, are available in cool white, daylight white and warm white. It has the same LEDs and same lumen output as the 5W TRISTAR® -MR16-WHT LED lamps.

TRISTAR®-R3-WHT

Features

- High power 5W LED
- High luminous intensity output
- Min. 70% lumen maintenance after 35,000 hours
- Higher energy efficiency than incandescent and halogen lamps
- Cool beam (no UV or thermal radiation)

ELECTRONIC SPECIFICATIONS

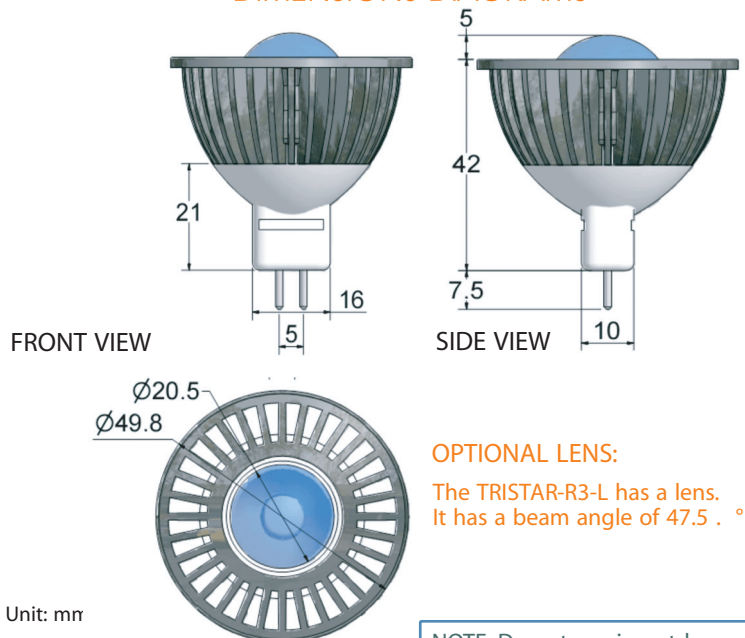
PARAMETERS	TRISTAR-R3
ELECTRICAL:	
Power Supply Voltage (Typ.)	10~17 Vdc/Vac
Power Supply Current	<500mA
Power Consumption	< 5W
OPTICAL:	
Operating Life	>35,000 hrs.
Beam Angle (without lens)	38.9°
Beam Angle (with lens)	47.5°
ENVIRONMENT:	
Operation Temperature	-20~50°C
Storage Temperature	-40~60°C
Operation Humidity	10~90%

Color	Minimum Photometric Flux (lm)	Maximum Photometric Flux (lm)	Color Temperature
Warm White	175	195	3100k
Daylight White	185	205	5500k
Cool White	190	210	6500k

Note: 10~17VDC power supplies are strongly recommended. Compatibility of the LED lamps with 12VAC electronic transformers cannot be guaranteed.

REV: 20090710

DIMENSIONS DIAGRAMS



OPTIONAL LENS:

The TRISTAR-R3-L has a lens. It has a beam angle of 47.5°.

NOTE: Do not use in outdoor or wet/humid areas or in totally enclosed fixtures.